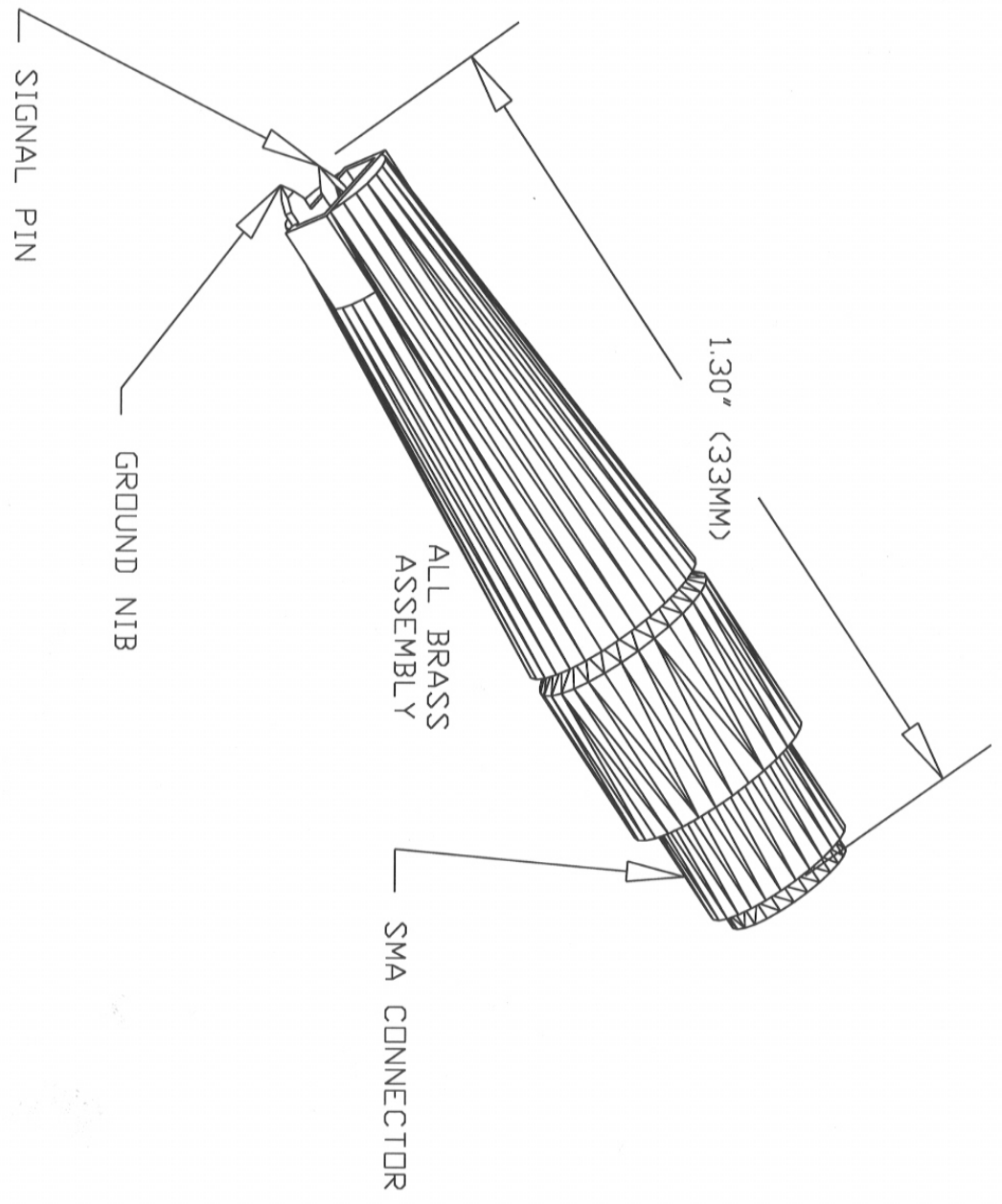


AVAILABLE PITCHES:  
0.040" (1MM)-0.250" (6.35MM)



WWW.INTRROBOTICS.COM

INTRROBOTICS ACCU-PROBER PROBE ASSEMBLY